



Weyn-Lauwers N.V.

Industriepark-Noord 12
B - 9100 SINT-NIKLAAS

Tel. : 00 32 (0)3 776.34.13
Fax : 00 32 (0)3 778.09.52
weynlauwers@weynlauwers.be
www.weynlauwers.be

**BUTTERFLY VALVES
WAFER TYPE
SS DISC/PTFE covered
fig 215TT**

DESIGN FEATURES

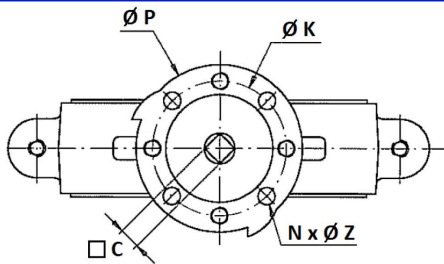
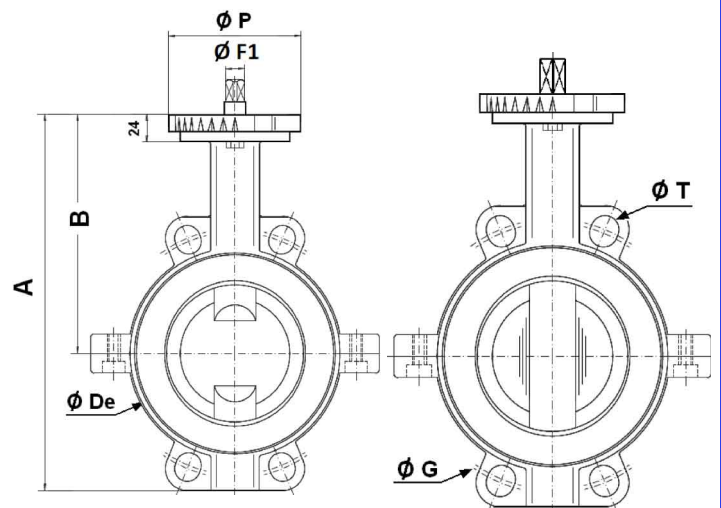
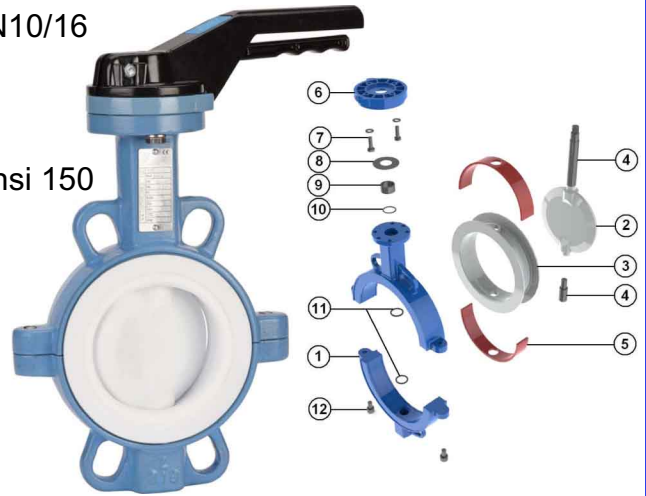
- **wafer type butterfly valve** dn32 - dn300 PN10/16
- temp : -25°C +200°C
- specifications :
 - SS disc/PTFE covered / PTFE body seat
 - installation between flanges pn10/16 and ansi 150
 - mounting plate ISO 5211
 - face to face UNE EN 558 serie 20
 - from 10" handling with gear box

USE

- for corrosive fluids
- 16 bar up to dn150 / 10 bar over

MATERIALS

item	Part name	Material
1	body	ductile iron EN GJS-500-7
2	disc	CF8M / PTFE covered
3	seat	PTFE
4	stem DN32-50	17 4-PH (630)
4	stem DN65-200	AISI316
5	insert	silicone
6	plate	aluminium
7	plate screw	A4
8	ring	AISI316
9	socket	AISI316
10-11	O-ring	FKM
12	body screw	A4



DN	32/40	50	65	80	100	125	150	200
A	205	226	242	262	290	326	348	438
B	140	156	161	167	184	207	215	257
De	83	103	117	134	150	185	205	270
E	33	43	46	46	52	56	56	60
F	10	10	14	16	16	18	18	22
F1	9,5	9,5	12	14	14	17	17	17
P	88	88	88	88	88	105	105	105
T	18	18	18	18	18	18	23	23
kg	2,50	4,00	4,57	5,18	6,5	9,5	10,4	16,8
C	8	8	9	11	11	14	14	17
ISO	F07	F07	F07	F07	F07	F07	F07	F07
H4	19	19	19	19	19	19	19	19
ref.	215TT.07	215TT.09	215TT.10	215TT.11	215TT.12	215TT.13	215TT.14	215TT.16

